

4

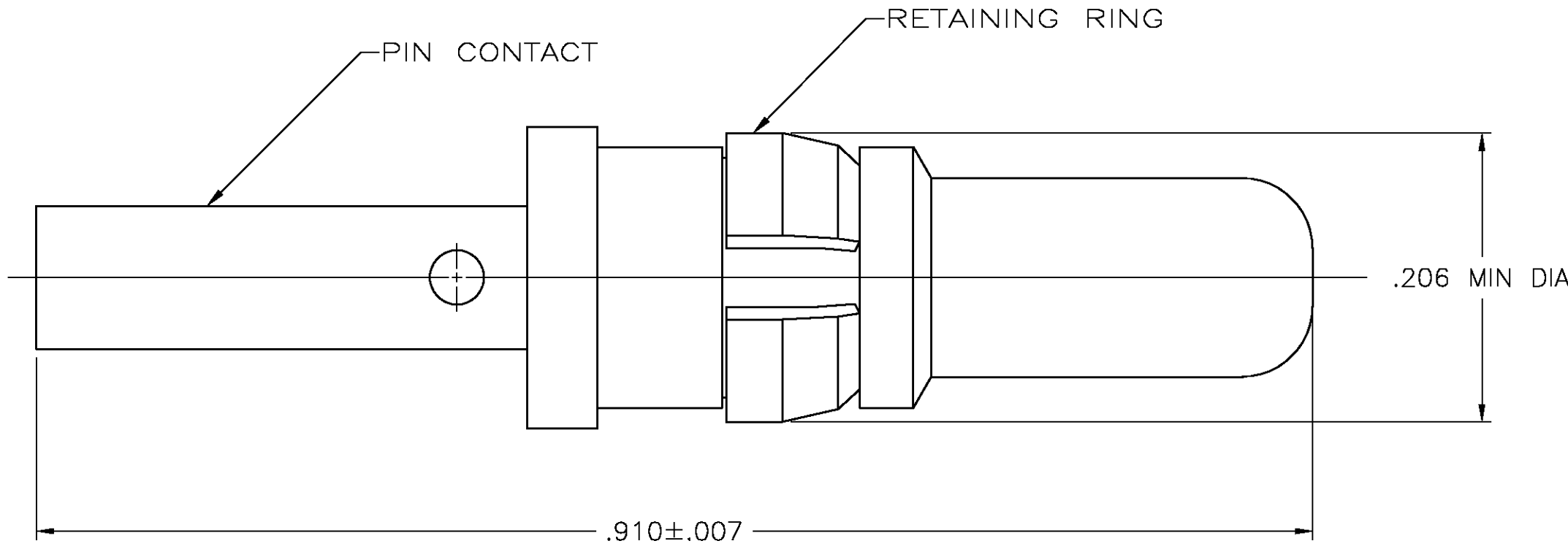
3

2

1

THIS DRAWING IS UNPUBLISHED. RELEASED FOR PUBLICATION
 © COPYRIGHT BY TYCO ELECTRONICS CORPORATION. ALL RIGHTS RESERVED.

LOC	DIST	REVISIONS			
P	LTR	DESCRIPTION	DATE	DWN	APVD
FT	0				
	D	REVISED PER 0G3B-0008-04	1/9/04	SS	GS



213567-1
 PART NUMBER

- 1. WIRE BARREL WILL ACCEPT 16-18 AWG WIRE.
- ② PIN CONTACT: BRASS.
RING RETAINING: PHOSPHOR BRONZE.
- ③ 0.76 μm [.000030] MIN GOLD OVER
1.27 μm [.000050] MIN NICKEL.
- ④ 1.27 μm [.000050] MIN NICKEL.

THIS DRAWING IS A CONTROLLED DOCUMENT.		DWN C DORWART 09/06/91	Tyco Electronics Corporation Harrisburg, PA 17105	
DIMENSIONS: INCHES		CHK R STONE 9/10/91	NAME	
TOLERANCES UNLESS OTHERWISE SPECIFIED:		APVD A TRAVIS 9/11/91	PIN CONTACT ASSEMBLY, POWER VIII, METRIMATE	
0 PLC ± - 1 PLC ± - 2 PLC ± - 3 PLC ± .005 4 PLC ± - ANGLES ± -		PRODUCT SPEC W PARKER 9/11/91	-	
MATERIAL		APPLICATION SPEC	SIZE	RESTRICTED TO
-		WEIGHT	A3	-
FINISH PIN CONTACT: ③ RING RETAINING: ④		CAGE CODE	00779	DRAWING NO
		CUSTOMER DRAWING	C=213567	SCALE 10:1
			SHEET 1 OF 1	REV D